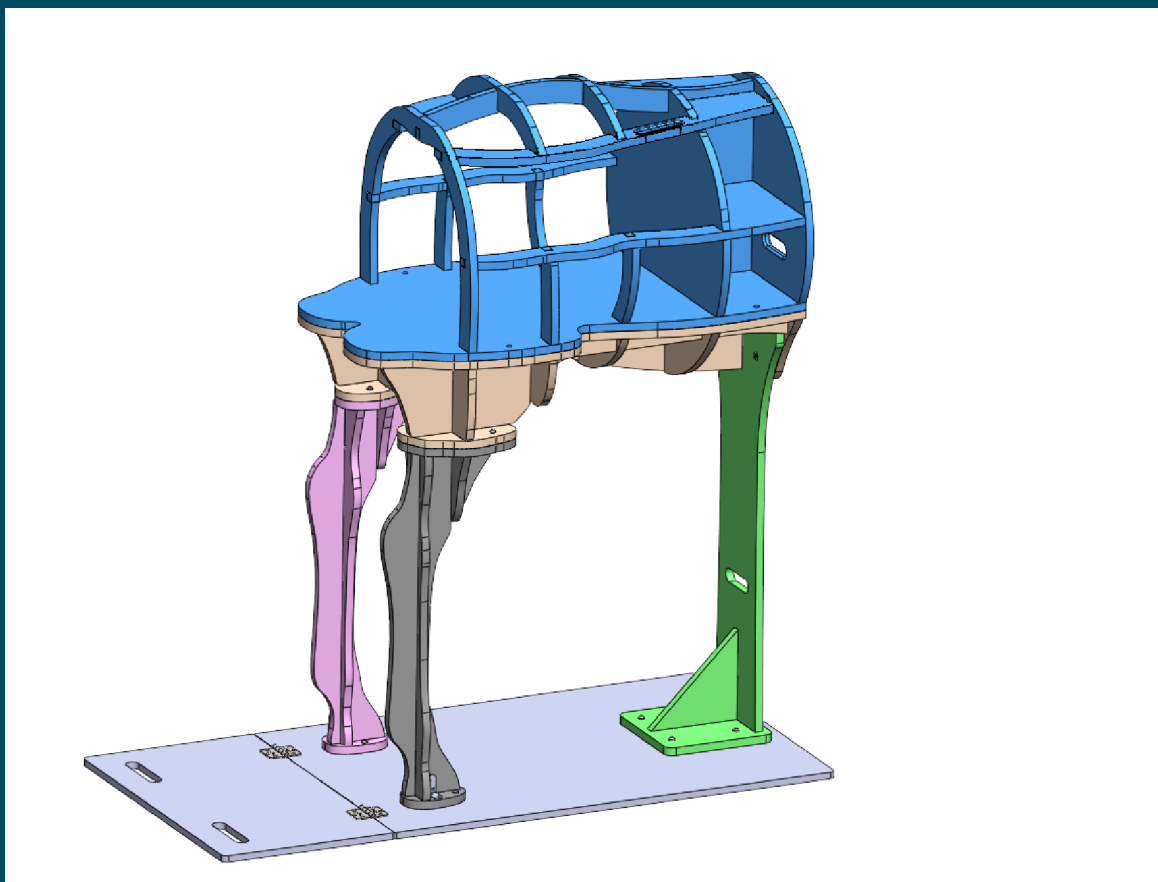


USER MANUAL



Assembly and set up instructions for procedures on the Interlocking Horse.



Interlocking Horse

Revision A:
Interlocking Horse
User Manual.

Product Sku:
E300-000

Last Updated:
7 September 2023



Part List

You will Need:

- Power Drill
- Allen Key
- Pozi Drill Bit
- Pozi Screwdriver

Spare Parts:

Spare Parts Available to Order

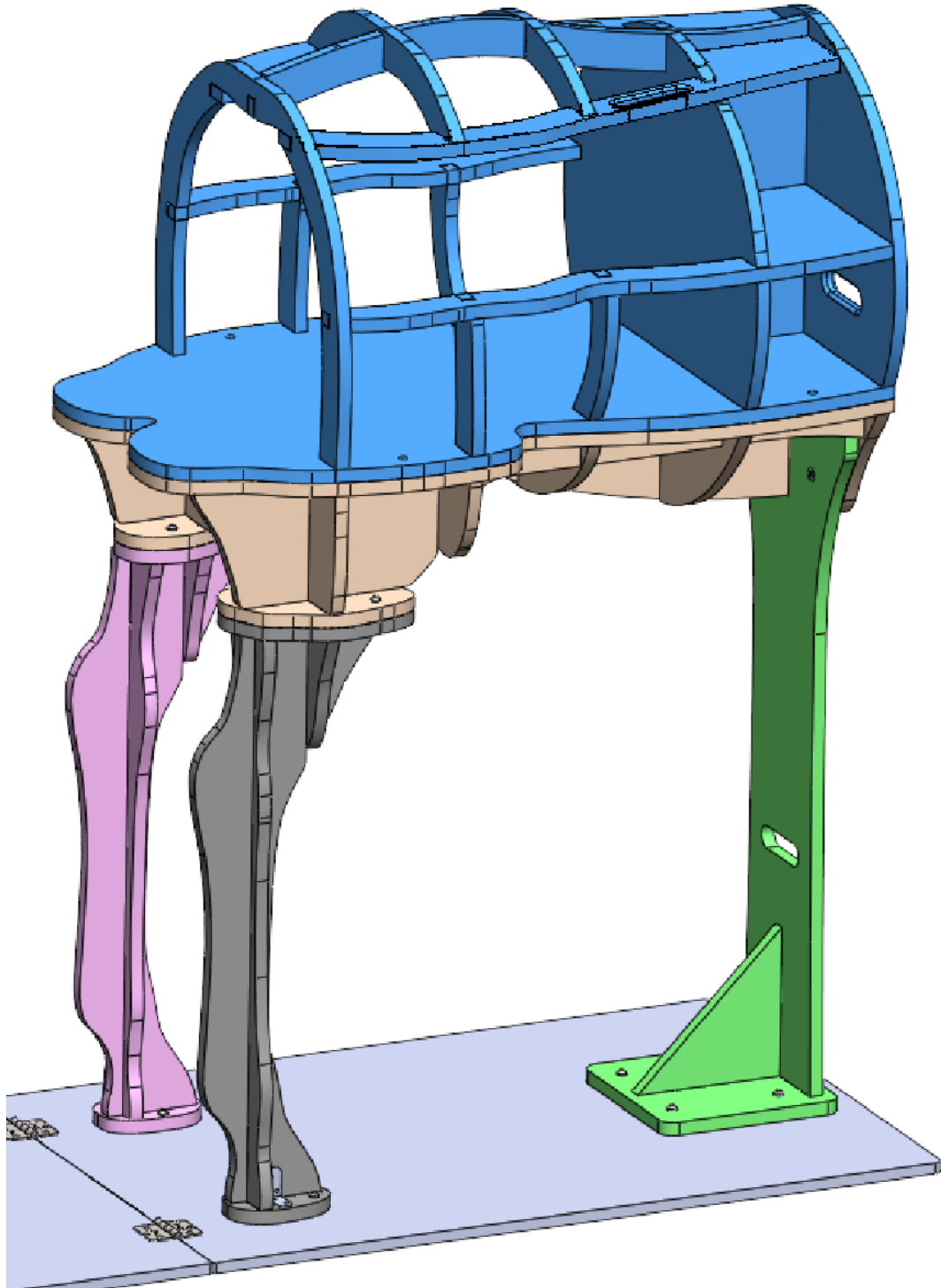
For all other parts or repairs, please contact Holsim through our website www.holsim.co.nz

Overall Hardware

QTY

- | | |
|--------------------------------|----|
| • Big Hinges | 2 |
| • 6G x 12mm Countersunk Screws | 6 |
| • Tee Nuts | 1 |
| • Medium Angled Bracket | 2 |
| • Phillips Screw | 8 |
| • Flange | 12 |
| • M6 35mm Button Socket | 12 |
| • M6 Washers | 12 |

Bottom Floor	QTY	Hardware used	QTY
Base part A	1	Big Hinges	2
Base part B	1	6G x 12mm Countersunk Screws Tee Nuts	6
Left & Right Legs	QTY	Hardware used	QTY
Leg – Part A	2	Medium Angled Bracket	2
Leg – Part B	2	M6 35mm Button Socket	4
Leg – Part C	2	Phillips Screw	8
Leg – Part D	2	Flange	4
Leg – Part E	2	M6 Washers	4
Leg – Part F	2		
Front Stand	QTY	Hardware used	QTY
Front Stand – Part A	1	M6 35mm Button Socket	4
Front Stand – Part B	1	M6 Washers	4
Front Stand – Part C	1	Flange	4
Bottom Cage	QTY	Hardware used	QTY
Bottom Cage – Part A	1	M6 35mm Button Socket	4
Bottom Cage – Part B	2	M6 Washers	4
Bottom Cage – Part C	1	Flange	4
Bottom Cage – Part D	1		
Bottom Cage – Part E	1		
Bottom Cage – Part F	1		
Bottom Cage – Part G	1		
Bottom Cage – Part H	1		
Bottom Cage – Part I	2		
Top Cage	QTY	Hardware used	QTY
Bottom Cage – Part A	1	M6 35mm Button Socket	4
Bottom Cage – Part B	1	M6 Washers	4
Bottom Cage – Part C	2		
Bottom Cage – Part D	2		
Bottom Cage – Part E	1		
Bottom Cage – Part F	2		
Bottom Cage – Part G	2		
Bottom Cage – Part H	1		
Bottom Cage – Part I	2		
Bottom Cage – Part J	1		
Bottom Cage – Part K	2		



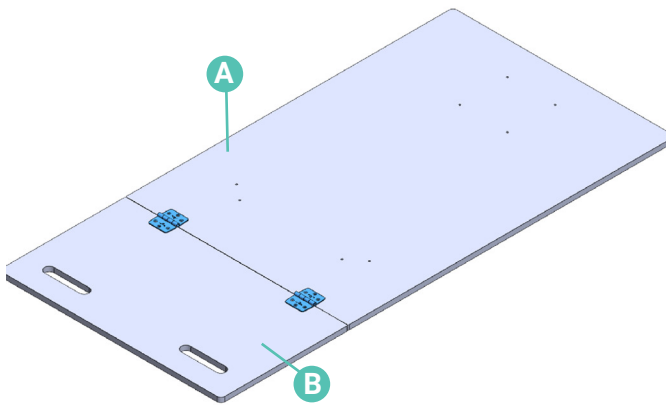


Bottom Floor

1 STEP ONE

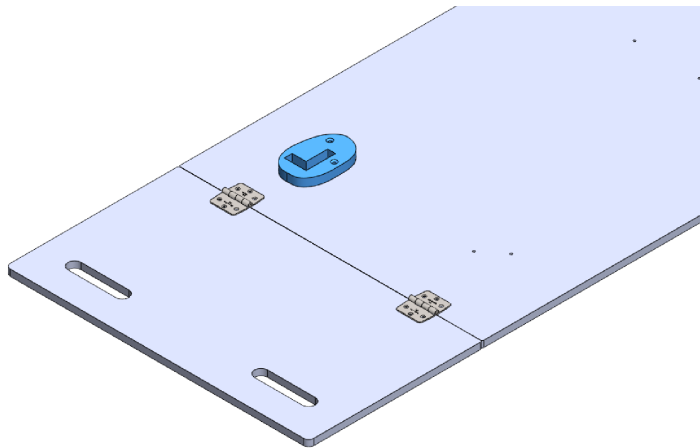
Attach hinges to base

- Secure Base Part A and Part B together with the two big hinge Assemblies.
- Fasten in place using 6x countersunk screws.
- Tee nuts on the underside of the main base section.





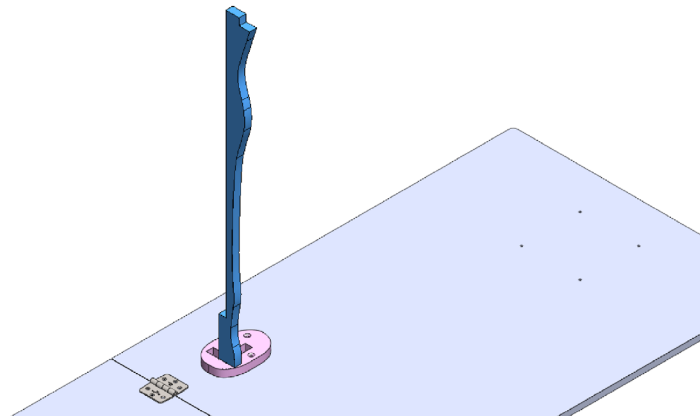
Horse Legs



1 STEP ONE

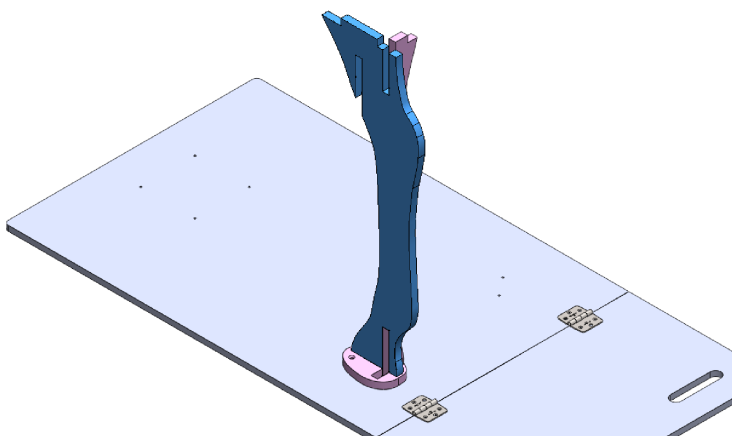
Drill horse leg part a1 into base

- Locate the slot for part A of left leg and drill into place.
- Using x2 M6 35mm socket screw and M6 washers



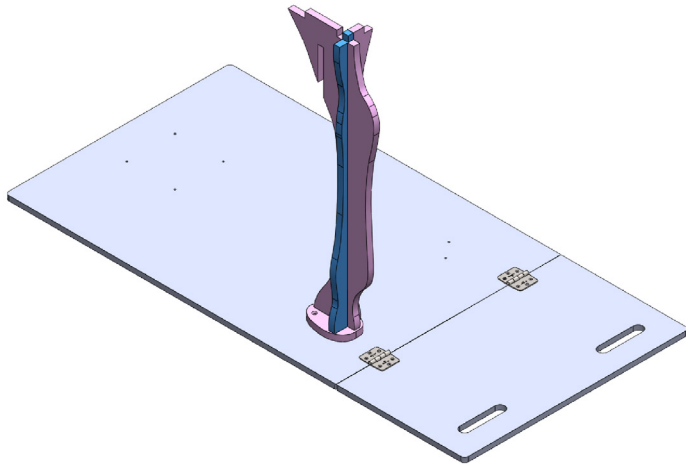
2 STEP TWO

Sit Left leg part B1 into part a1



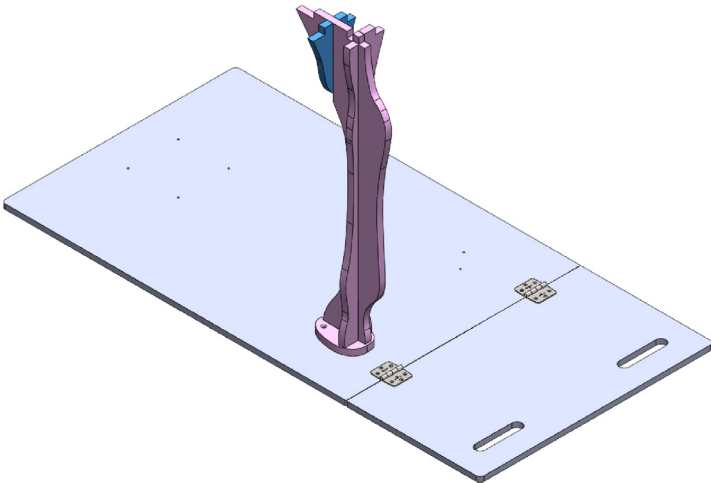
3 STEP THREE

Slot in Left leg part c1



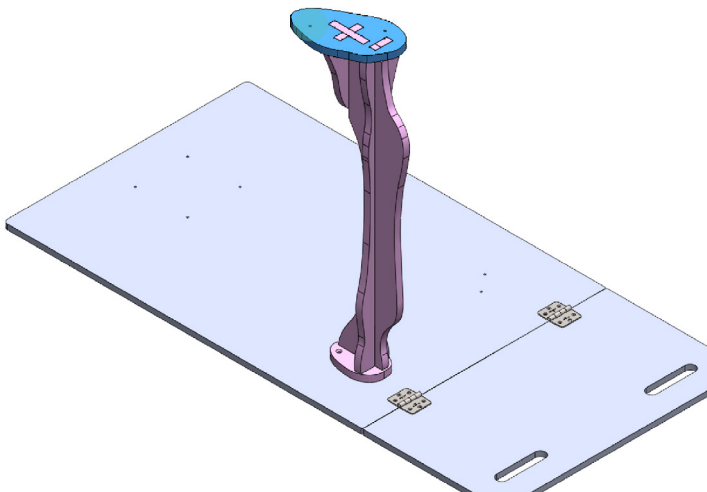
4 STEP FOUR

Slot in left leg part d1



5 STEP FIVE

Locate left leg part e1 and slot into part C1



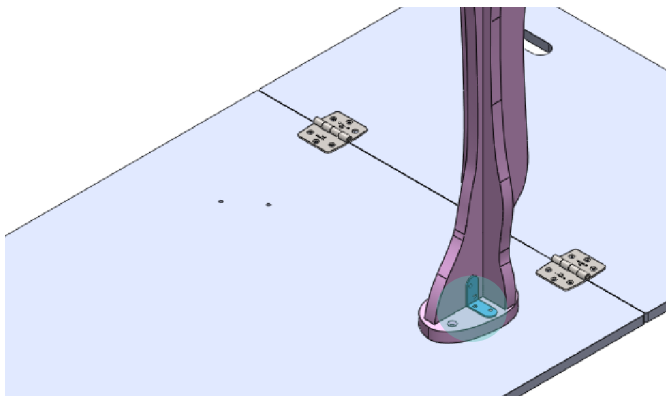
6 STEP SIX

Slot part f1 onto top of leg

- Insert flange facing the ground/underside



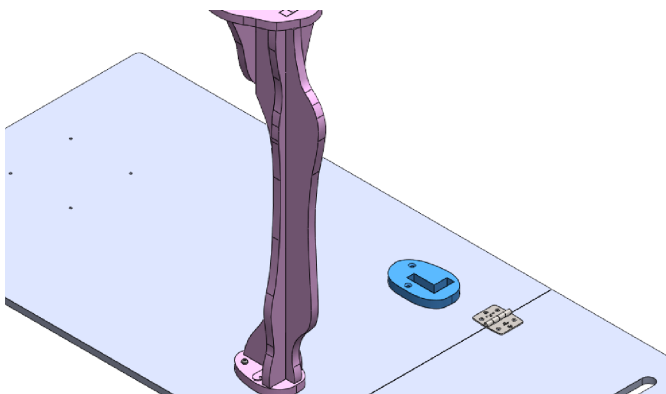
Horse Leg



7 STEP SEVEN

Connect part a1 with part c1

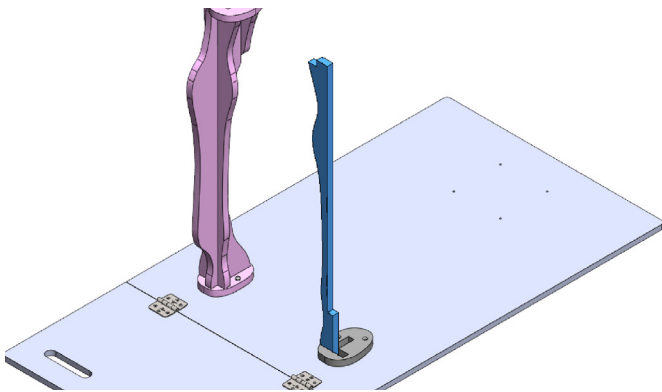
- Attach part A with part C using x4 Phillip screws and Medium angled Bracket.



8 STEP EIGHT

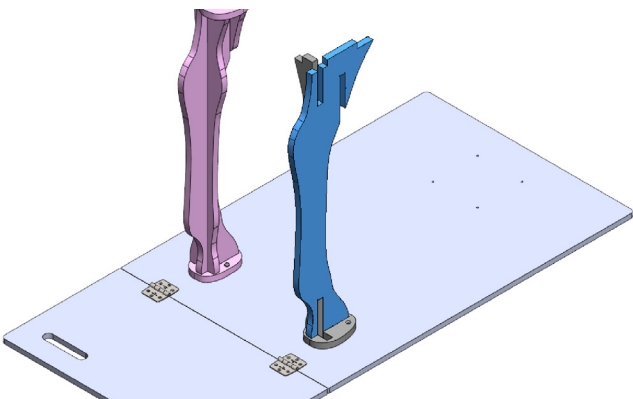
Repeat with right leg and drill part a2 into bottom base

- Locate the slot for part A2 of the left leg and drill two button screws into base.
- Using x2 M6 35mm socket screw and M6 washers



9 STEP NINE

Slot in Leg part b2 into leg part A2

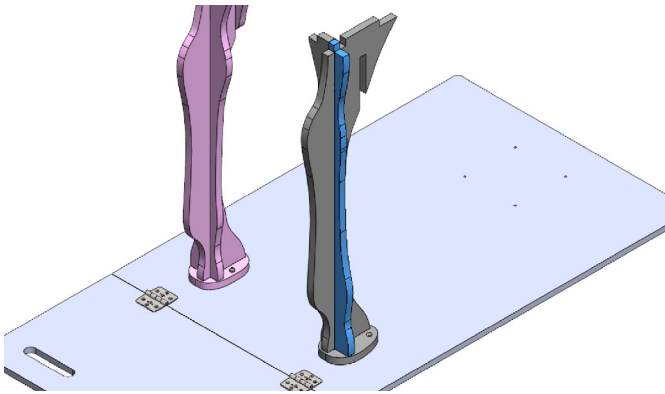


10 STEP TEN

Interlock left Leg part c2

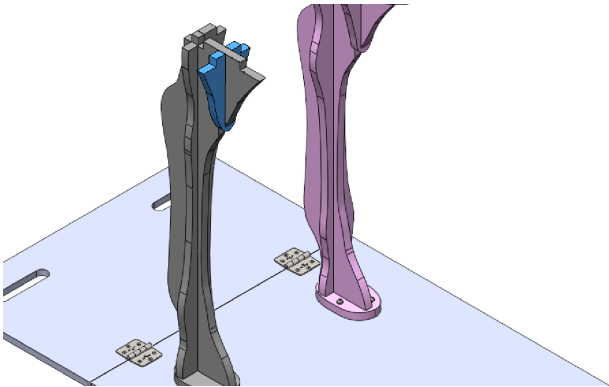


Horse Leg



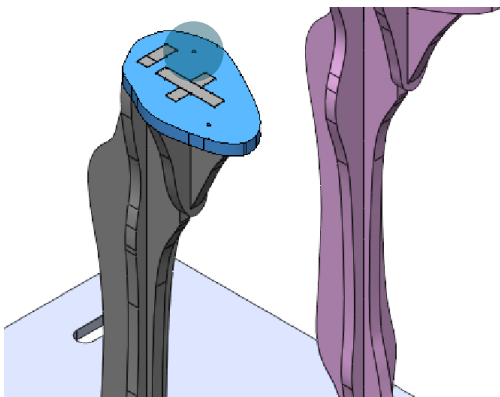
11 STEP ELEVEN

Connect leg part d2



12 STEP TWELVE

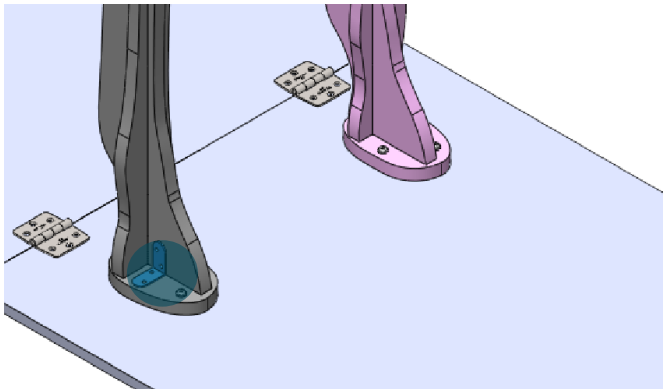
Interlock leg part e2



13 STEP THIRTEEN

Slot leg part f2 onto top of horse right leg

- Insert flange facing the ground/underside



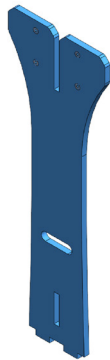
14 STEP FOURTEEN

Connect leg part a2 with part c2

- Attach part A with part C using x4 Phillip screws and Medium angled Bracket.

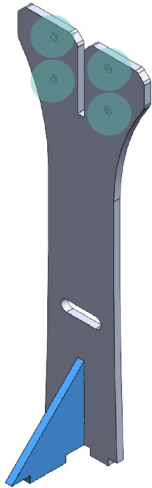


Front Stand



1 STEP ONE

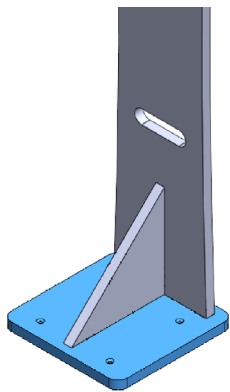
Locate front stand part a



2 STEP TWO

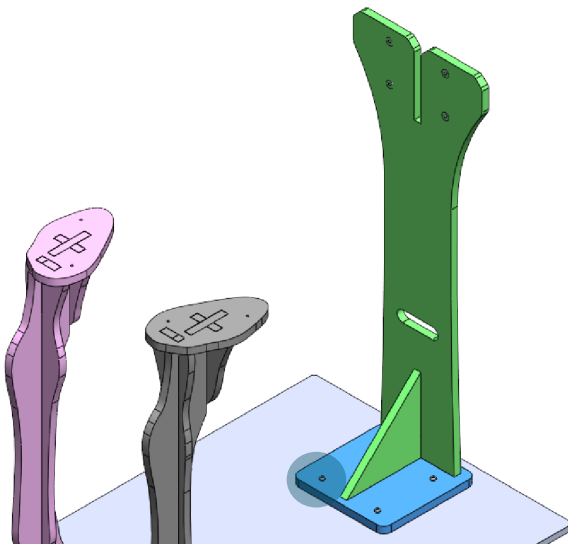
Slot front stand part b into the bottom slot of part a.

- Insert flange same side as diagonal support



3 STEP THREE

Interlock parts onto front stand part c



4 STEP FOUR

Connect front stand into the front of case part a

- Screw in place using 4x M6 35mm Socket Screws + 4x M6 Washers

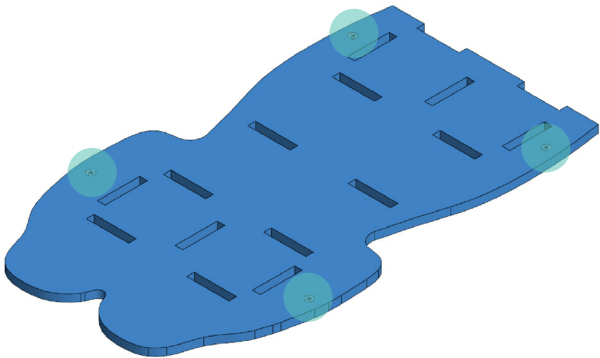


Bottom Stand

1 STEP ONE

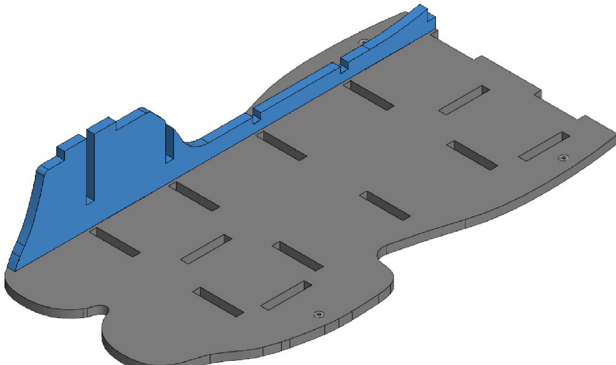
Locate bottom cage part a

- Insert flange facing upwards.



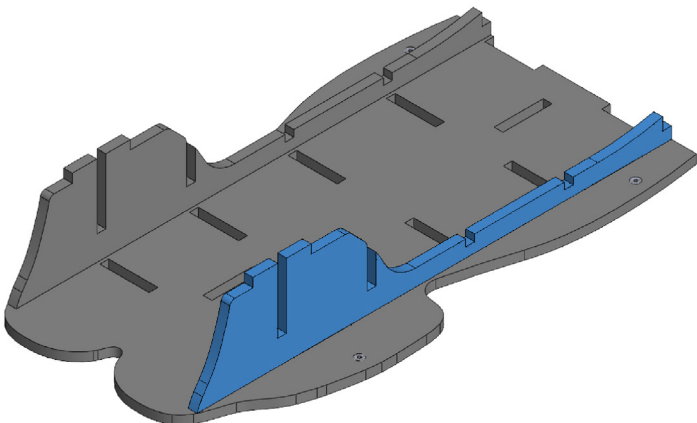
2 STEP TWO

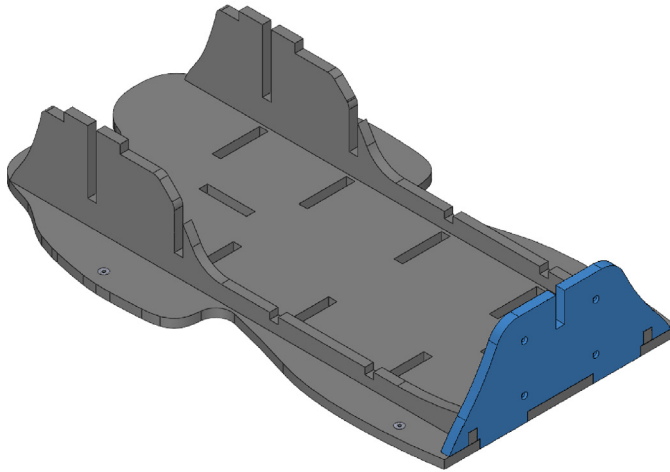
Connect bottom cage part b1 into part A



3 STEP THREE

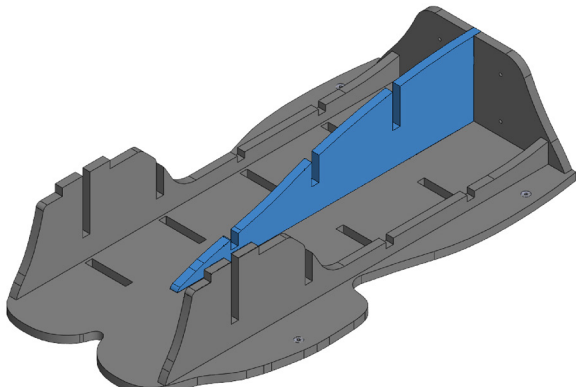
Repeat and connect bottom cage part b2 into opposite time





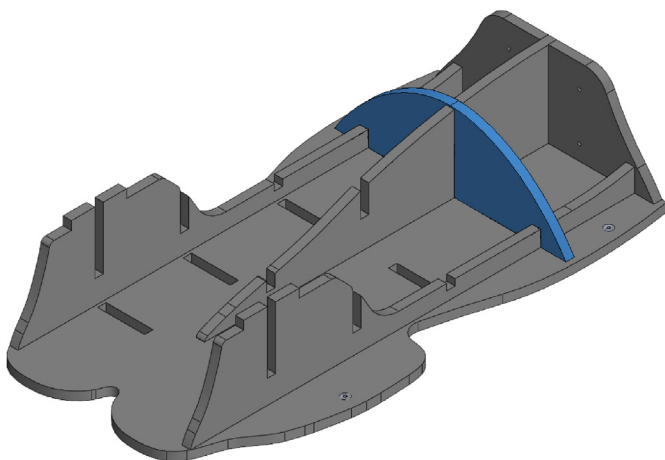
4 STEP FOUR

Slot bottom cage part c into the rear end of the cage.



5 STEP FIVE

Slot bottom cage part D into the middle

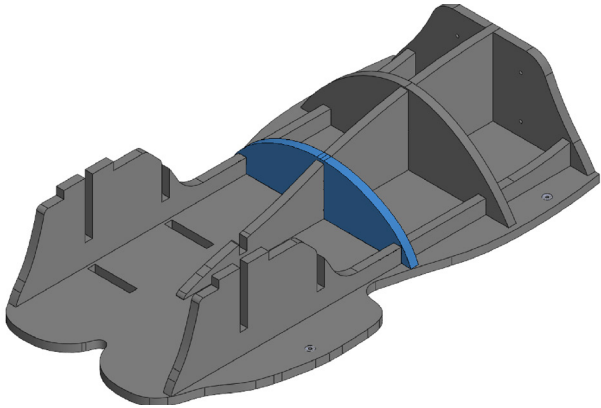


6 STEP SIX

Connect part e into the back of part d

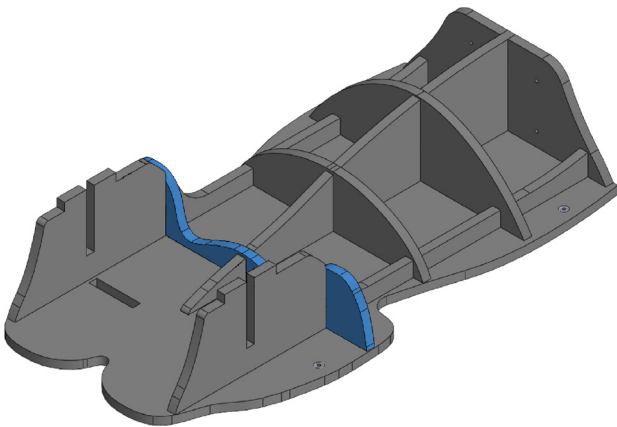


Bottom cage



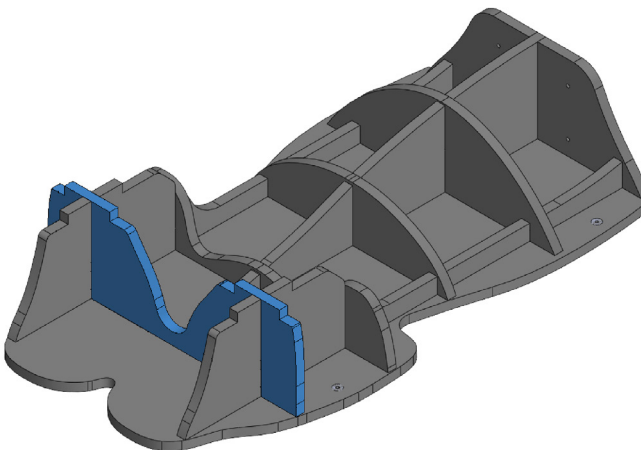
7 STEP SEVEN

Connect part f into the middle of part d



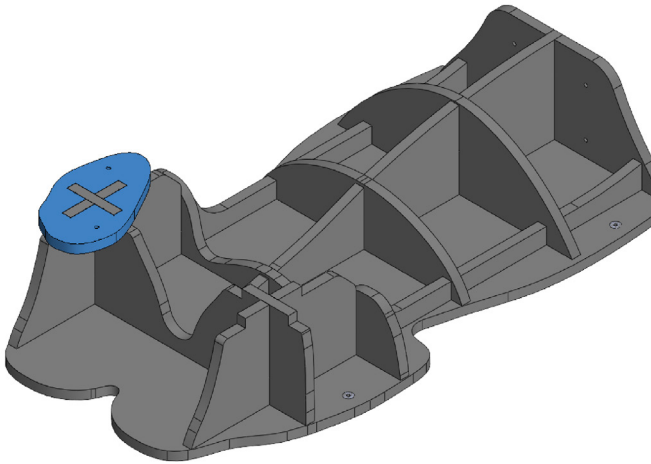
8 STEP EIGHT

Connect part g into front slot of part d



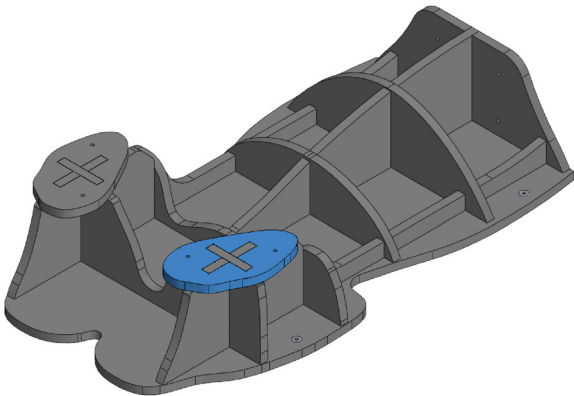
9 STEP NINE

Connect part h into remaining slot at the front



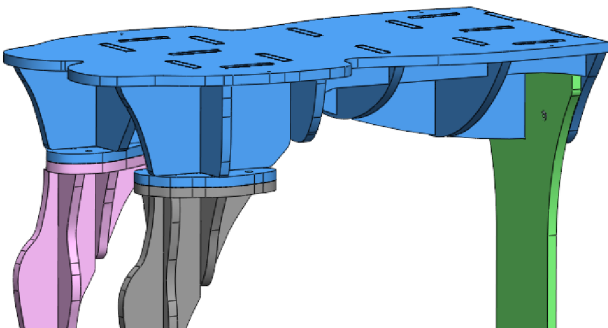
10 STEP TEN

Slot in part i1 into left side of bottom age



11 STEP ELEVEN

Slot in part i2 into left side of bottom age

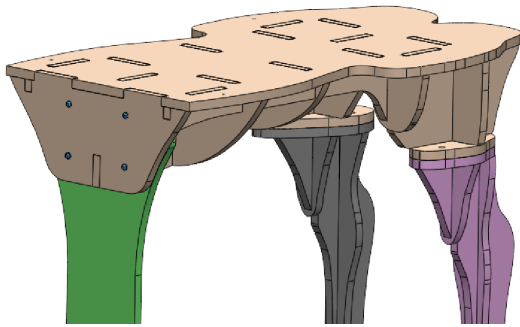


12 STEP TWELVE

Lay the connected bottom cage onto the front stand and legs



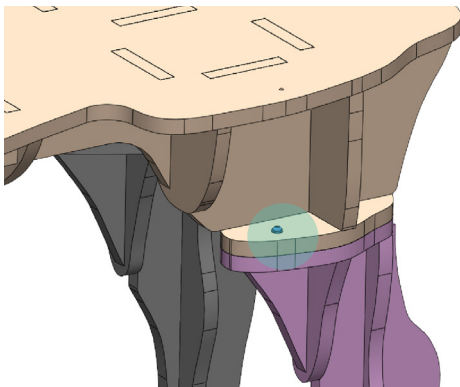
bottom cage



13 STEP THIRTEEN

Drill in screws into the flang inserts in the front stand

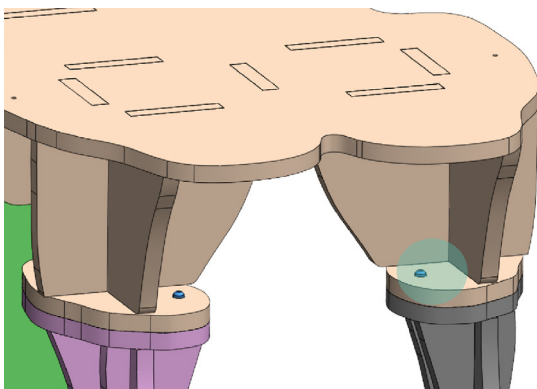
- Screw in using M6 35mm Socket Screw + M6 Washers



14 STEP FOURTEEN

Bolt into the inside of left and right legs

- Using 35mm Socket screw + m6 washers



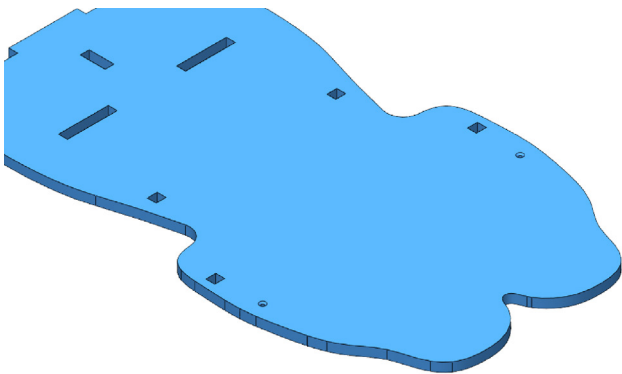
15 STEP FIFTEEN

Repeat in the backside of the left and right leg

- Using 35mm Socket screw + m6 washers

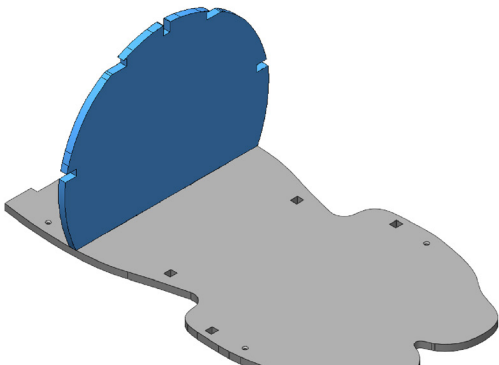


Top cage



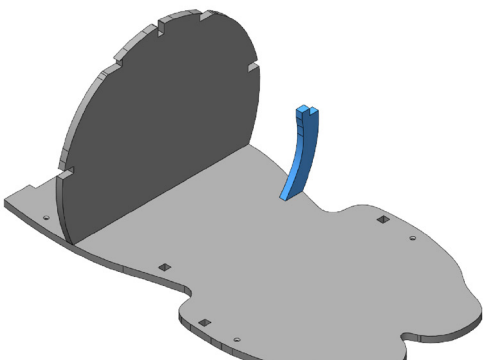
1 STEP ONE

Locate top cage part a



2 STEP TWO

Slot top cage part b into part A



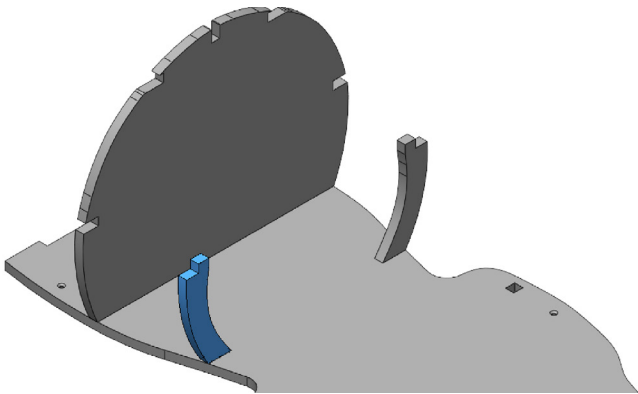
3 STEP THREE

Locate top cage part c1 into right hand side of part a

- Insert into far back slots



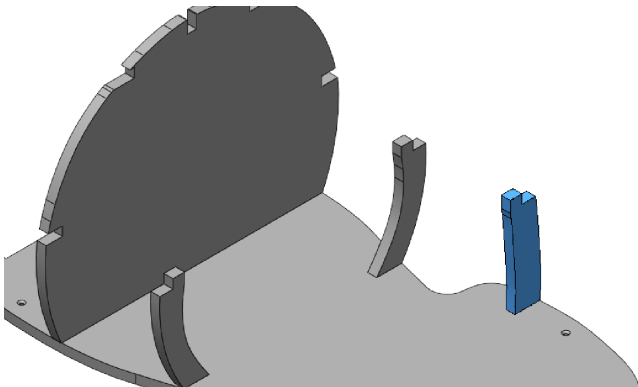
Middle base



4 STEP FOUR

Locate top cage part c2 and repeat on opposite side.

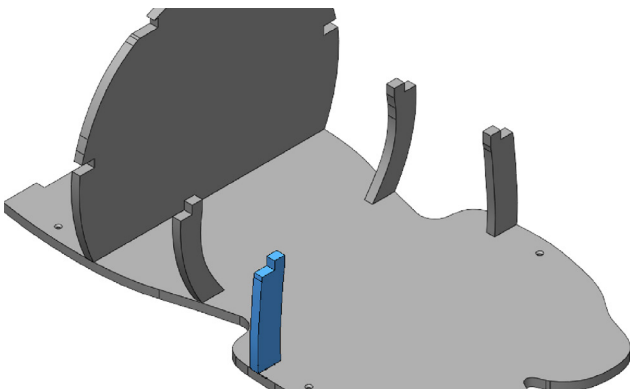
- Make sure the curves are facing inwards



5 STEP FIVE

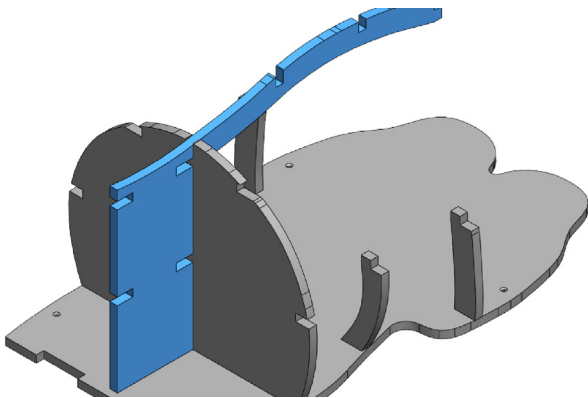
Locate top cage part d1 and slot into front section of part a

- Longer side facing inwards



6 STEP SIX

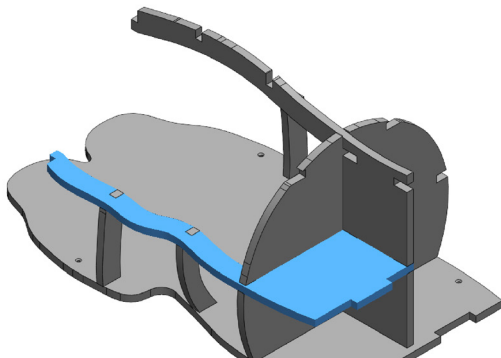
Repeat on opposite side and insert part d2



7 STEP SEVEN

Place in part E

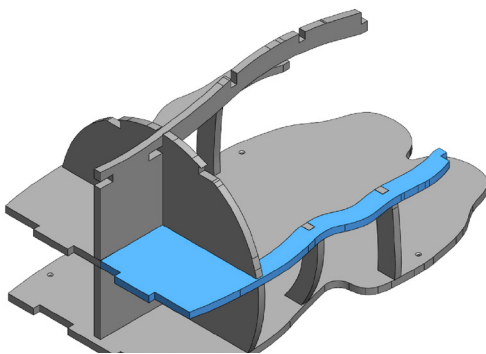
- Interlock Part E through the middle of part B as shown.



8 STEP EIGHT

slot in part f x1

- Interlock Part F x1 on the right side of the top cage as shown.



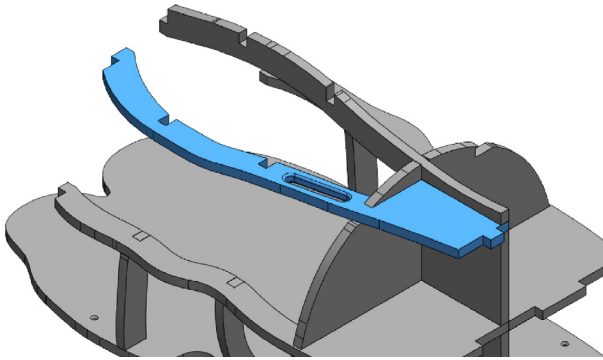
9 STEP NINE

Repeat on opposite side

- Interlock Part F x2 on the opposite side of the cage.



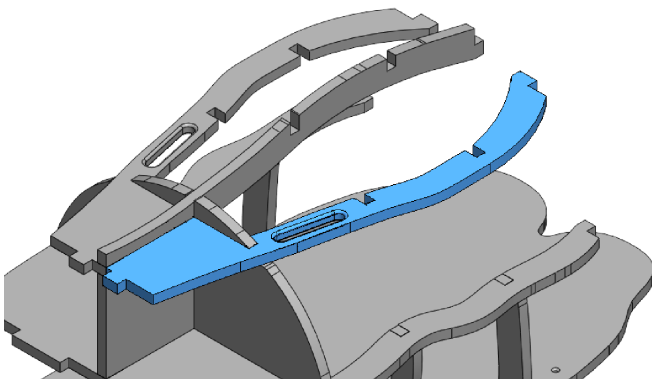
Top cage



10 STEP TEN

locate top cage part g x1

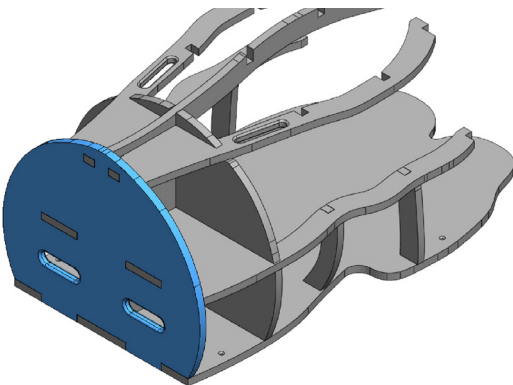
- Interlock Part G on one side of the arches as shown



11 STEP ELEVEN

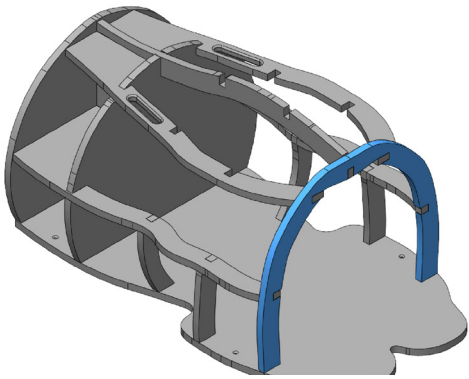
Repeat on the opposite side

- Using part G x2 interlock on the opposite side



12 STEP TWELVE

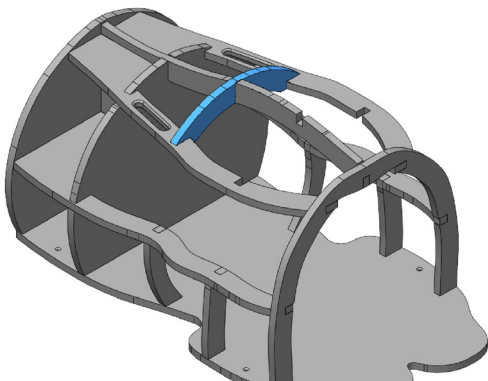
Fix top cage part H to fix into place as shown.



13 STEP THIRTEEN

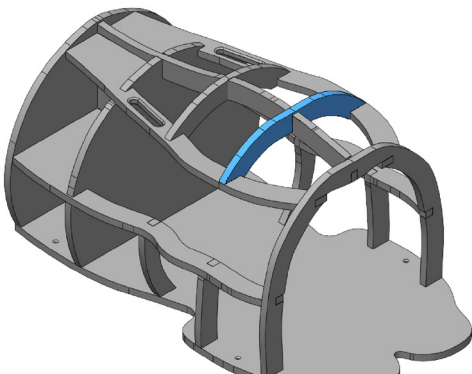
Fix the front using part i

- Fix part i into the front end of the top cage



14 STEP FORTTEEN

Interlock part j into the top cage



15 STEP FIFTEEN

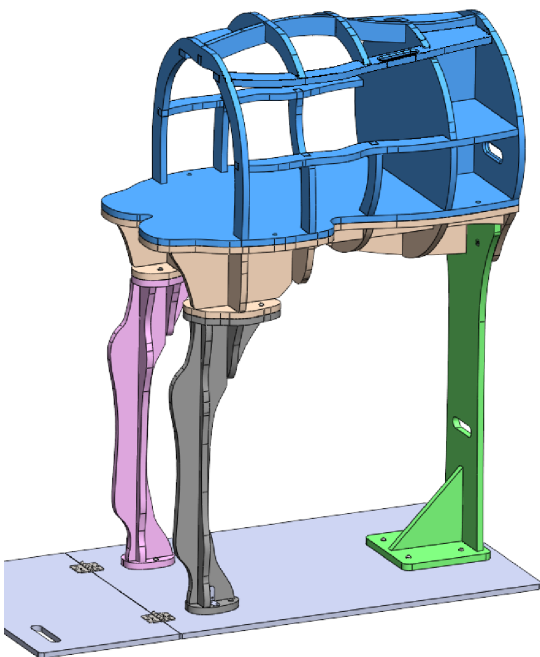
Lastly interlock part k into the remaining slot

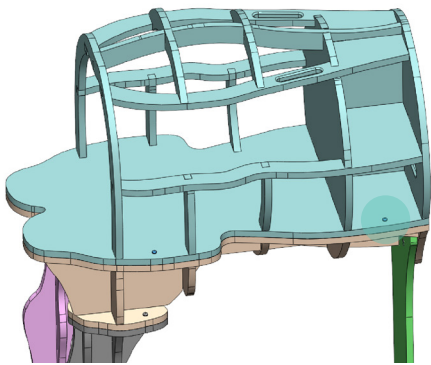


Final base

1 STEP ONE

Place completed top cage
onto the bottom cage

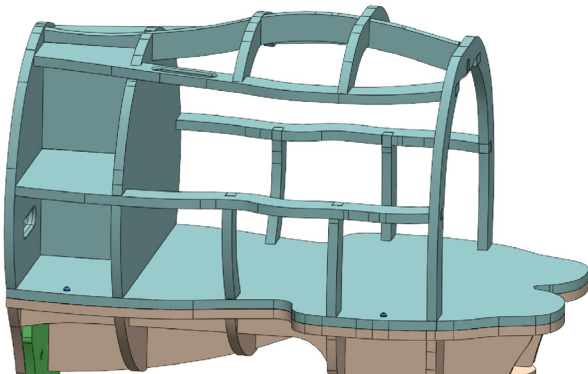




2 STEP TWO

Bolt in place

- Use a M6 35mm Socket screw and M6 washers



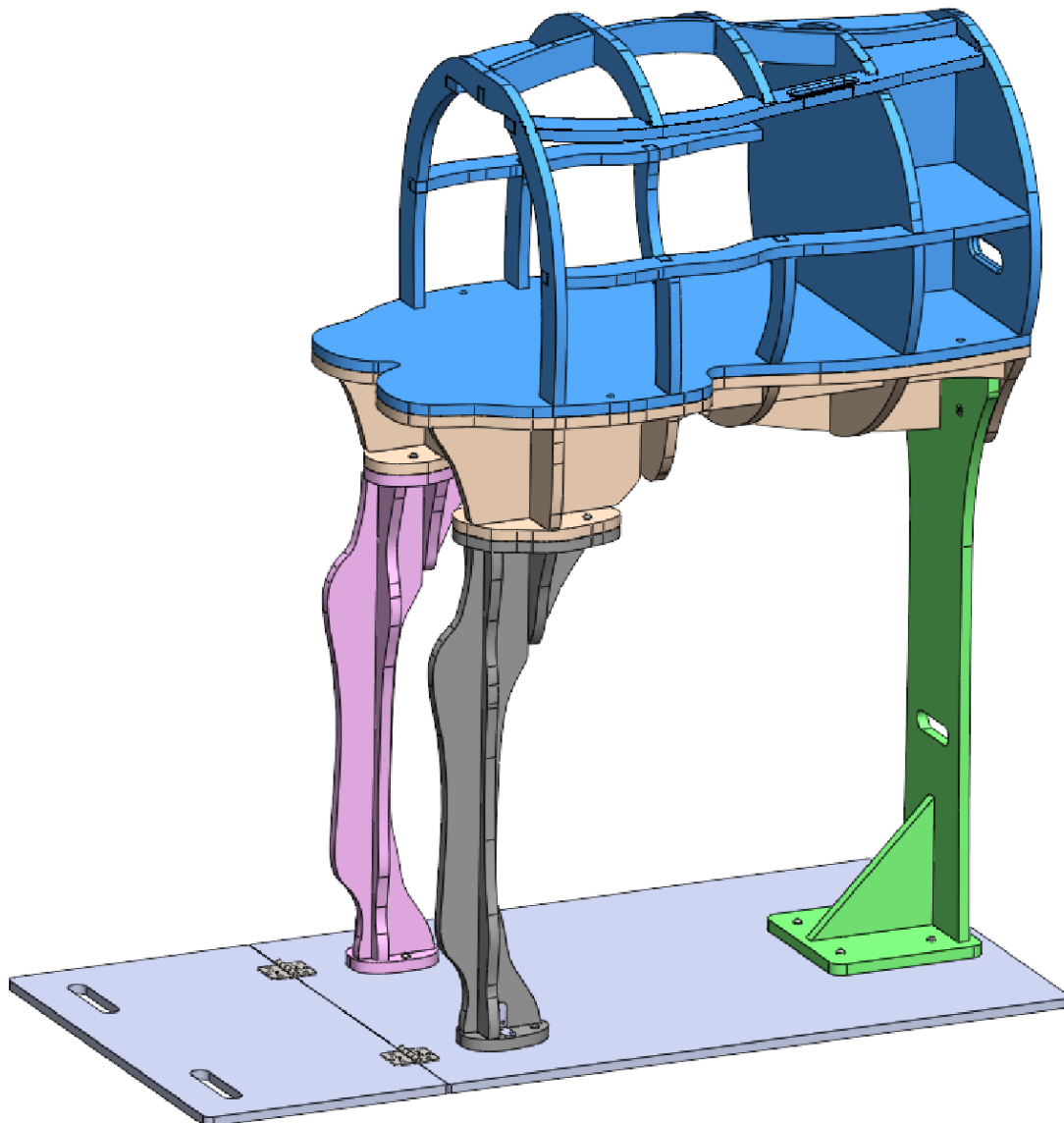
3 STEP THREE

Repeat on the opposite side

- Use a M6 35mm Socket screw



Final Product





Note:

This manual should be used before
following the Ultrasound Horse User Manual



Holsim

34D Somerset Street,  07 839 5018
Hamilton, New Zealand  Info@holsim.co.nz